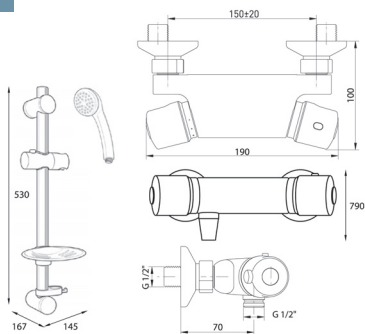


Unichrome Aire Bar Mixer

thermostatic mixer shower



Dimensions given are approximate

Operating Features

- Thermostatic to within 2°C
- Automatic shutdown if hot or cold supplies fail
- Adjustable maximum temperature stop
- Numbered temperature control
- Separate flow and temperature controls
- Flow limiter supplied
- Rub clean showerhead
 - Single spray pattern

Finish	Code
Chrome	UNAITHBM

Temperature Control	Thermostatic
Plumbing System Compatibility	Low and high pressure
Inlet Connections	1/2" BSP to 3/4" flat face union
Water Entry Points	Back
Outlet Connection	1/2" BSP bottom
Minimum Running Pressure/Flow	0.1 Bar @ 8l/min
Maximum Running Pressure	5 Bar
Maximum Static Pressure	10 Bar
Open Outlet Flowrate at 0.1 Bar	6.7l/min
Maximum Flow with Flow Limiter Fitted	8l/min
Pipe Inlet Centres	130-150mm
Approvals, Complies with	BS-En 1111, 1287
Guarantee	5 years