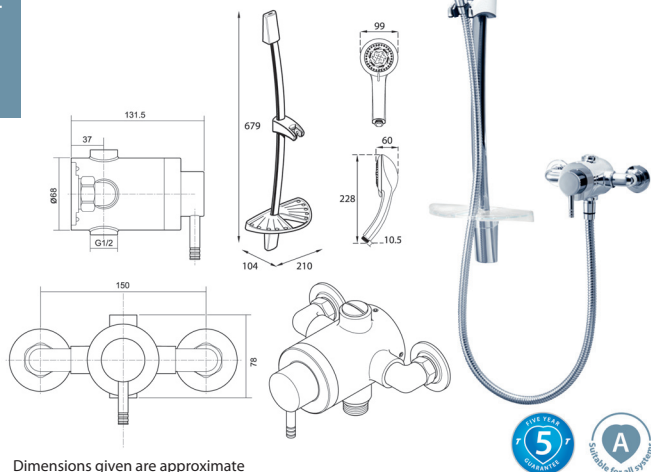


Unichrome Thames Exposed Sequential

thermostatic mixer shower



Dimensions given are approximate

Operating Features

- Thermostatic to within 1°C
- Single control for temperature adjustment with a constant flow
- Automatic shutdown if hot or cold supplies fail
- Flow limiters supplied
- Rub clean showerhead, – 5 spray pattern

Finish	Code
Chrome	UNTHTHEXSM

Temperature Control	Thermostatic
Plumbing System Compatibility	Low and high pressure
Inlet Connections	15mm compression
Water Entry Points	Rising, falling, back
Outlet Connection	1/2" BSP bottom
Minimum Running Pressure/Flow	0.1 Bar @ 8l/min
Maximum Running Pressure	5 Bar
Maximum Static Pressure	10 Bar
Open Outlet Flowrate at 0.1 Bar	5l/min
Maximum Flow with Flow Limiters Fitted	12l/min
Pipe Inlet Centres	150mm
Approvals, Complies with	BS-En 1111, 1287
Guarantee	5 years